

High Efficiency

# P Series 3-Phase Foot(Leg) Mounted Type

# 0.75kW

## ■ SPECIFICATION

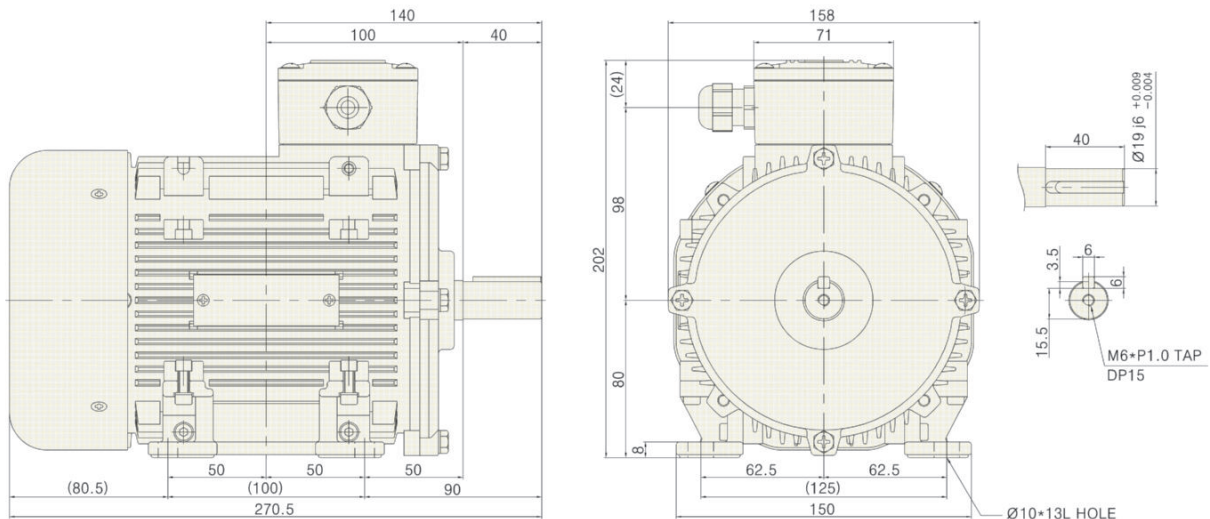
### ■ MOTOR

Frame No.	Output (kW)	Model Name	Poles	Voltage (V)	Freq. (Hz)	Duty	Rated Load					Degrees of protection	Insulation Classification	Protective Cooling System
							Current (A)	Speed (r/min)	Torque (kgf·cm)	Power Factor(p.u.)	Efficiency (%)			
80M	0.75	PEEF075-2R4□□	2	220/380	60	CONT.	3,25/1,88	3450	21,1	0,78	76,1	IP55	F	Totally Enclosed Fan-Cooled
				230/400	50		3,20/1,85	2885	25,3	0,75	77,4			
		460	60	1,80	3470		23,8	0,76	76,1					
		PEEJ075-4R4□□	4	220/380	60		3,10/1,80	1705	42,5	0,75	83,2			
				230/400	50		3,05/1,75	1415	51,3	0,76	79,6			
		PEEJ075-4U6□□	4	230/400	50		3,05/1,75	1415	51,3	0,76	79,6			
				460	60		1,70	1700	48,9	0,79	82,6			

- Note) • Foot (Leg) Mounted Type and Flange Mounted Type have the same specifications  
 • Actual rated power for voltage U6 model is 0,75kW at 230V/400V 50Hz and 0,86kW at 460V 60Hz

## ■ PE-L Type DIMENSIONS [ Foot(Leg) Mounted Type ]

UNIT = mm



- Note) • Key and Key groove tolerance : KS B 1311  
 • The total length of the products may vary depending on the mounting position of the discrete foot.  
 • ØD tolerance for output shaft : KS B 0401

Bearing No.		Weight
Load	Unload	
6204ZZ	6203ZZ	11,2kg

 Model Name Coding  
 9Page

 Specification for output shaft  
 30Page

 Technological Data  
 101Page