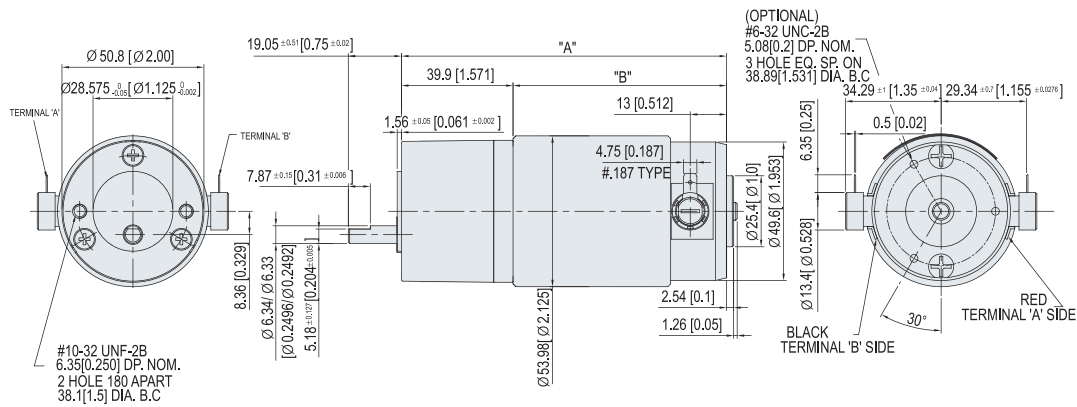


COMPACT TYPE RS5 SERIES GEARED MOTOR



MOTOR DIMENSION

UNIT : mm[inch]



MODEL NO.	"A"	"B"	WEIGHT(kg)
RS51□□□□	109.9 [4.327]	70.0 [2.756]	0.84
RS52□□□□	115.90 [4.563]	76.0 [2.992]	0.95

PERMISSIBLE TORQUE OF GEAR BOX

TYPE	GEAR RATIO	5.9	19.7	65.5
RS51B□□□	No Load rpm	717	215	65
	N-m	0.27	0.82	2.12
	oz-in	38.46	115.59	299.74
	kgf·cm	2.77	8.33	21.60
RS52B□□□	No Load rpm	693	207	62
	N-m	0.43	1.29	2.12
	oz-in	61.01	183.35	299.74
	kgf·cm	4.40	13.21	21.60

- ■ Color indicates that the output shaft of the geared motor rotates in the same direction as the output shaft of the motor. Others indicate rotation in the opposite direction.
- No Load rpm equals Motor no load rpm divided by gear ratio. The actual rotation speed is less 2-20% than the displayed value according to the load.